



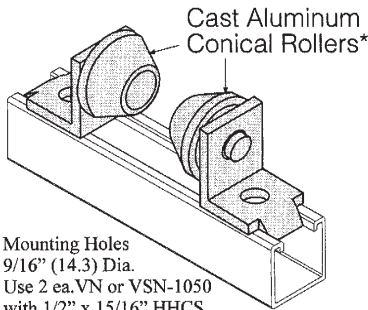
VERSABAR CORPORATION

Pipe Rollers

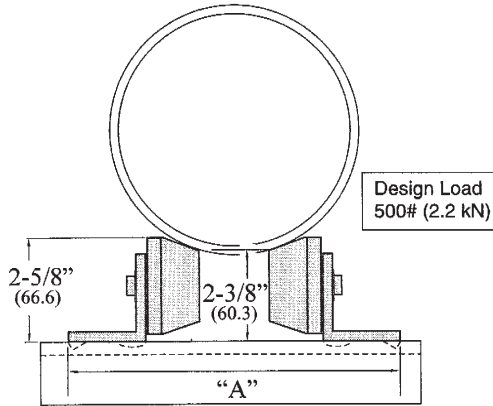
VPR Pipe Rollers - No Axle

Complete set
Fully assembled

Wgt. Per "C" pair 154# / (70 kg.)



Mounting Holes
9/16" (14.3) Dia.
Use 2 ea. VN or VSN-1050
with 1/2" x 15/16" HHCS
(order separately)



Pipe Size	Dim "A"	
	In.	mm
1/2"	6-1/2"	(165)
3/4"	6-1/2"	(165)
1"	6-1/2"	(165)
1-1/4"	6-1/2"	(165)
1-1/2"	6-1/2"	(165)
2"	6-1/2"	(165)
2-1/2"	6-1/2"	(165)
3"	6-1/2"	(165)
3-1/2"	7"	(178)
4"	7"	(178)
5"	7-1/2"	(191)
6"	7-3/4"	(197)
8"	9"	(229)

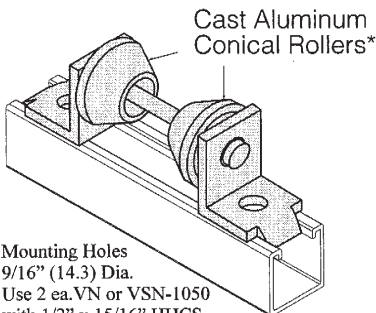
(Without insulation)

*Steel portion has "Electro-Galvanized" finish

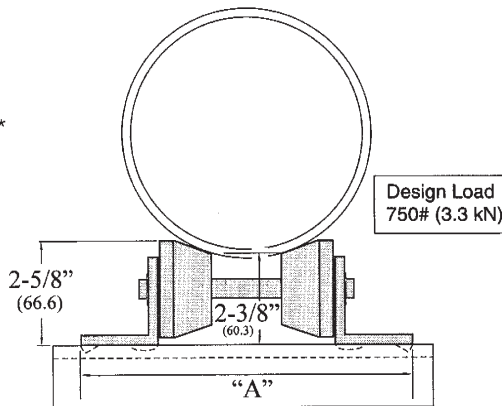
VPR-1 thru 5, Pipe Rollers - With Axle

Complete set
Requires assembly

Wgt. Per "C" units 175# / (79 kg.)



Mounting Holes
9/16" (14.3) Dia.
Use 2 ea. VN or VSN-1050
with 1/2" x 15/16" HHCS
(order separately)



Part #	Pipe Size	Dim "A"	
		In.	mm
VPR-1	1/2"	6-1/2"	(165)
VPR-1	3/4"	6-1/2"	(165)
VPR-1	1"	6-1/2"	(165)
VPR-1	1-1/4"	6-1/2"	(165)
VPR-1	1-1/2"	6-1/2"	(165)
VPR-1	2"	6-1/2"	(165)
VPR-1	2-1/2"	6-1/2"	(165)
VPR-1	3"	6-1/2"	(165)
VPR-2	3-1/2"	7"	(178)
VPR-2	4"	7"	(178)
VPR-3	5"	7-1/2"	(191)
VPR-4	6"	7-3/4"	(197)
VPR-5	8"	9"	(229)

(Without insulation)

*Steel portion has "Electro-Galvanized" finish

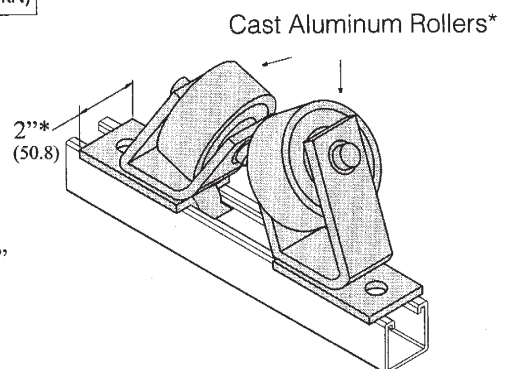
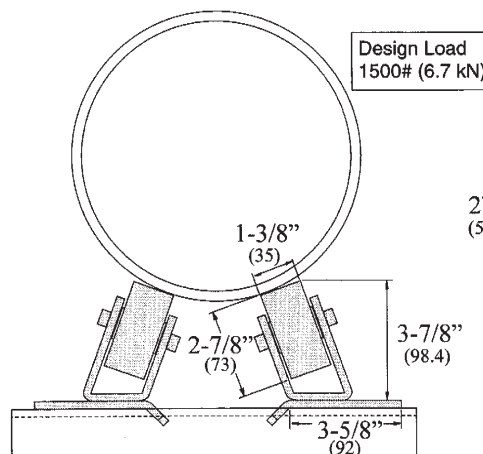
VPR-2000 Double Pipe Rollers

Wgt. Per "C" pair 430# / (195 kg.)

Complete set
Fully assembled

For 6" - 18" Pipe

Mounting Holes
9/16" (14.3) Dia.
Use 2 ea. VN or VSN-1050
with 1/2" x 15/16" HHCS
(order separately)



*Steel portion has "Electro-Galvanized" finish