



**VPR-3000
Triple Pipe Rollers**

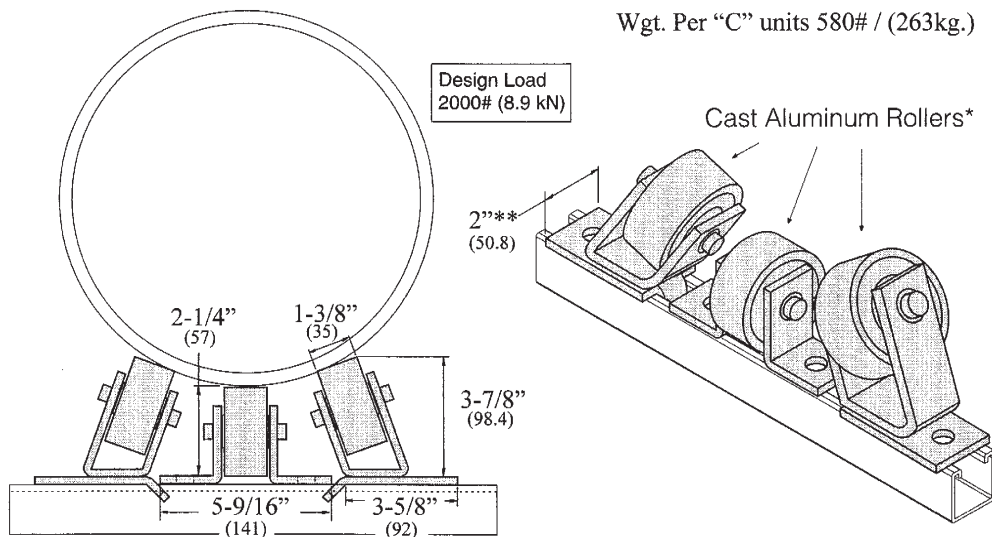
**Complete set
Fully assembled**

For 16" - 24" Pipe

Mounting Holes
9/16" (14.3) Dia.
Use 4 ea. VN or VSN-1050
with 1/2" x 15/16" HHCS
(order separately)

*Steel portion has
"Electro-Galvanized" finish

** Center Fitting is 1-5/8"
(41.3) wide stock



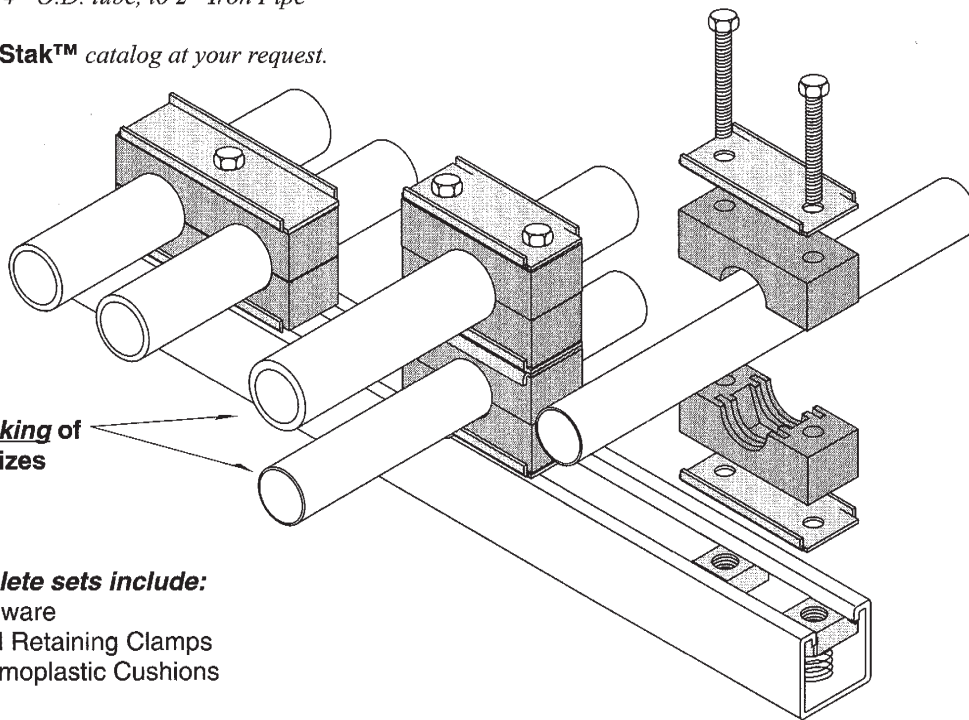
ModuStak™ MODULAR CLAMPING SYSTEMS

ModuStak clamping systems provide an easy solution to securing compound tube & pipe runs. Similar in physical characteristics to "HydraZorb" clamps, this product provides the following advantages:

- Can be mounted to various surfaces, including **Versabar** channels
- Reduces shock, noise and vibration in multiple fluid lines
- Eliminates metal-to-metal contact between fluid conductors, clamps, and channel
- Resists most fuels, oils, gases, greases, mineral acids, etc.
- Remains stable and usable from -20° F to 212° F
- Lets you concurrently mount groups of various pipe and tube types
- ModuStak clamping systems are available with stainless steel bases and hardware
- Cushions available to fit 1/4" O.D. tube, to 2" Iron Pipe

Versabar will provide a **ModuStak™** catalog at your request.

Permits **multi-level stacking** of various pipe and tube sizes



Complete sets include:
Hardware
Steel Retaining Clamps
Thermoplastic Cushions